

# **Parts Manual**

---

## **EC Series Blanket Warmer 15.4 and 20.6 cu. ft. models**

**MN-39834 • Rev 11 • 03/22**

# Table of Contents

---

## **15.40 cu. ft. Blanket Warmer**

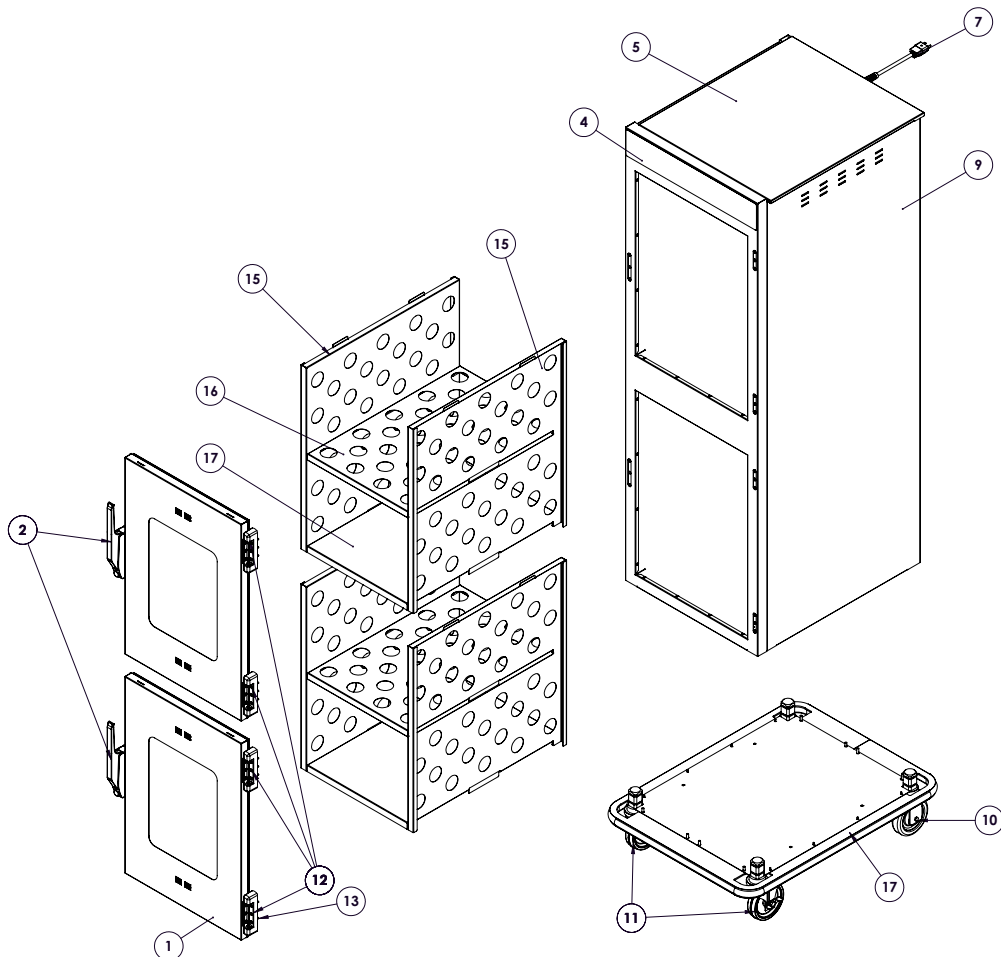
Full Assembly . . . . .	3
Sensor Assembly . . . . .	4
Electrical . . . . .	5
Accessories . . . . .	6
Heating Cable Replacement Kit . . . . .	6
Wiring Diagram . . . . .	7-8

## **20.6 cu. ft. Blanket Warmer**

Full Assembly . . . . .	9
Interior View . . . . .	10
Sensor Assembly . . . . .	11
Electrical . . . . .	12
Accessories . . . . .	13
Heating Cable Replacement Kit . . . . .	13
Wiring Diagram . . . . .	14-17

# Service Parts - 15.4 cu. ft. warmer

## Full Assembly



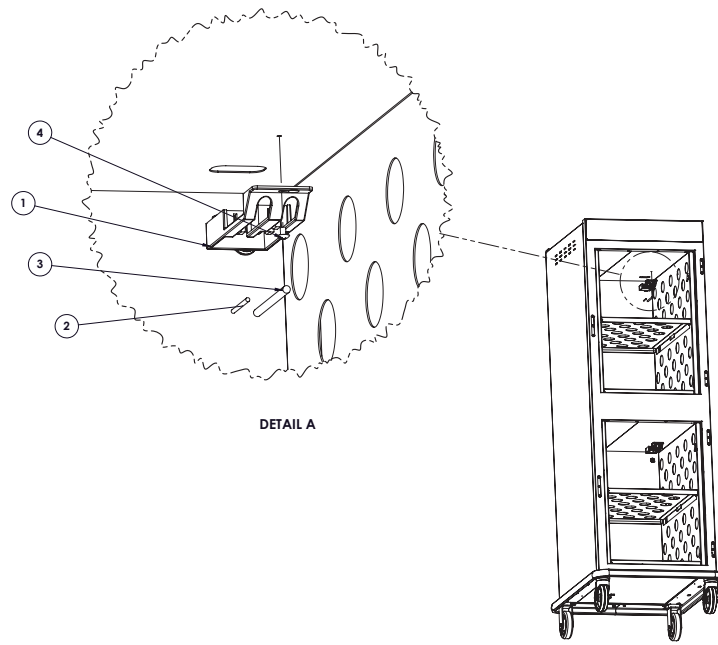
Item	Description	Part No.	Qty	Item	Description	Part No.	Qty
1	Window door assembly	5001253	2	11	Casters, 5" (127mm), stem, swivel with brake	CS-24875	2
2	Door handle	HD-24171	2	12	Hinge set (1 set of 2 hinges)	HG-22338	2
3*	Screw, M5 x 0.8mm flat phillips	SC-35259	10	13	Screws, hinge, M5 x 0.8 x 20mm; flat phillips	SC-23868	12
4	Control panel overlay - EC1540	PE-47445	1		Screws, M5 x 0.8 x 30mm flat	SC-22853	12
5	Top cover	1035953	1	14	Blanket Insert Assembly	5032667	2
6*	Strain relief bushing (not shown)	BU-34836	1	15	Blanket support, side	1035934	2
7	Cordset, 10' (3m), 120V	E3029CD	1	16	Panel, insert, shelf	1035936	1
	Cordset, 10' (3m), 230V	**	1	17	Panel, insert, bottom	1035935	1
8*	Rear cover (not shown)	1035952	1	18	Full-Perimeter rubber bumper (optional)	5015440	1
9	Side, Left	1035954	1	19*	Leg Kit 6"	5011149	1
	Side, Right*	1037064	1				
10	Casters, 5" (127 mm), stem, rigid	CS-24874	2				

\* Not shown

\*\* Various international plugs are available, contact factory for more information.

# Service Parts - 15.4 cu. ft. warmer

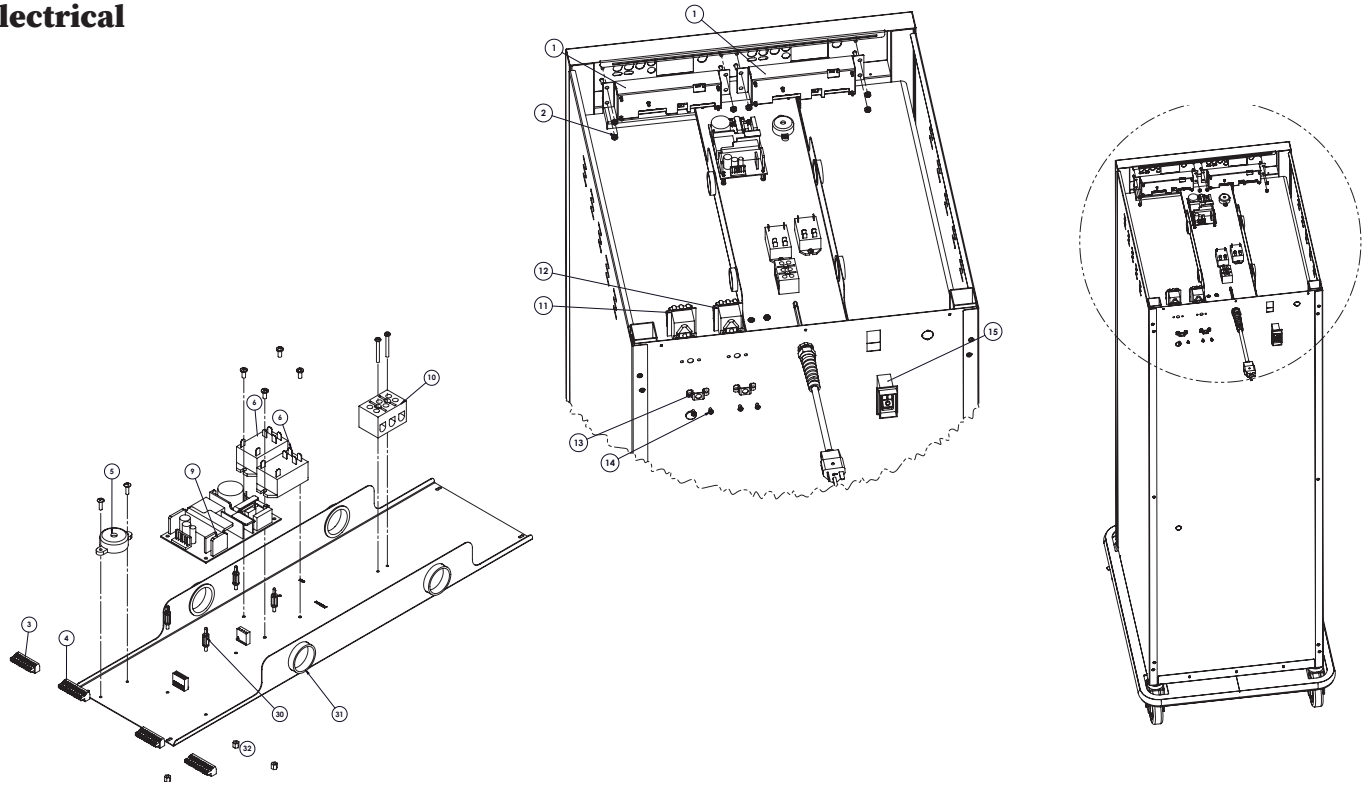
## Sensor Assembly



Item	Description	Part No.	Qty
1	Sensor Bracket	BK-47565	1
2	Sensor	SN-33541	1
3	Thermostat, Manual Reset	TT-33476	1
4	Screw, 8-32 x 1", Flat, Phillips	SC-22138	1

# Service Parts - 15.4 cu. ft. warmer

## Electrical



Item	Description	Part No.	Qty	Item	Description	Part No.	Qty
1	Control assembly	CC-34765	2	18*	Strain relief bushing	BU-34836	1
2	Nut, #8-32 UNC	NU-26526	8	19*	Cordset, 10ft (3m), 120V	E3029CD	1
3	Connector, 10 pin	CR-33717	1	19*	Cordset, 10ft (3m), 230v	**	1
4	Connector, 9 pin	CR-33718	1	20*	Connector, 4 pos	CR-34065	2
5	Beeper, solid state	BP-3567	1	21*	Connector, 5 pos	CR-34066	2
6	Relay, 12V DC, coil	RL-34434	2	22*	Connector, terminal	CR-3806	2
7*	Screw, 6-32 x 3/4" pan flat-head	SC-2146	2	23*	Door switch (optional)	SW-33559 †	2
8*	Connector, Compact, 2 Conductor	CR-34967	4	24*	Screw	SC-36973	1
9	Power supply board	BA-34041	1	25*	Thermostat, auto reset	TT-34350	2
10	Terminal block, 3 form compress	BK-3019	1	26*	Screw, M4x0.75x6mm Pan PHH SST A2 MS	SC-22271	2
11	Thermostat, manual reset	TT-33476	1	27*	Washers, CT, M, Split Lock Washer 18-8	WS-22301	2
12	Thermostat, manual reset	TT-34600	1	28*	Spacer Plate	1030595	1
13	Hi-limit protection cover	1009751	1	29*	Wire diagram, 120V	7756	1
14	Screws, M4-0.7 x 6mm, phillips	SC-22271	2	29*	Wire diagram, 230V	77238	1
15	Circuit breaker switch	SW-33858	1	30*	Spacer, Nylon	SP-33901	4
16*	Filter, RFI pwer line, 10A, 250C, 230V	FI-34825	1	31	Bushing, Snap 1 1/2	BU-3013	4
17*	Equipotential ground stud	ST-25670	1	32	Spacer, Support Circuit board	SP-33707	4

\* Not shown

\*\* Various international plugs are available, contact factory for more information.

# Service Parts - 15.4 cu. ft. warmer

---

## Accessories

Description	Part No.
Built-in trim kit, reach-in	5013889
Built-in trim kit, pass-through	5013889 (x2)
Full-perimeter rubber bumper (W x D) 20.4" x 28.1" (518mm x 714mm)	5015440
Leg kit, 6" (152mm)	5011149
Lock for door handle	LK-22567

## Heating Cable Replacement Kit #4874 (1 kit per chamber)

Kit Includes:	Part No.	Qty.
Cable heating element	CB-3044	210 ft (64m)
Cup bushing	BU-3106	4
Electrical tape	TA-3540	1 roll
Hex nut	NU-2215	8
Insulation corner	IN-3488	8 ft (2m)
Insulating sleeve	SL-3063	4
Ring connector	CR-3226	4
Shoulder bushing	BU-3105	4
Stud, 10-32	ST-2439	4

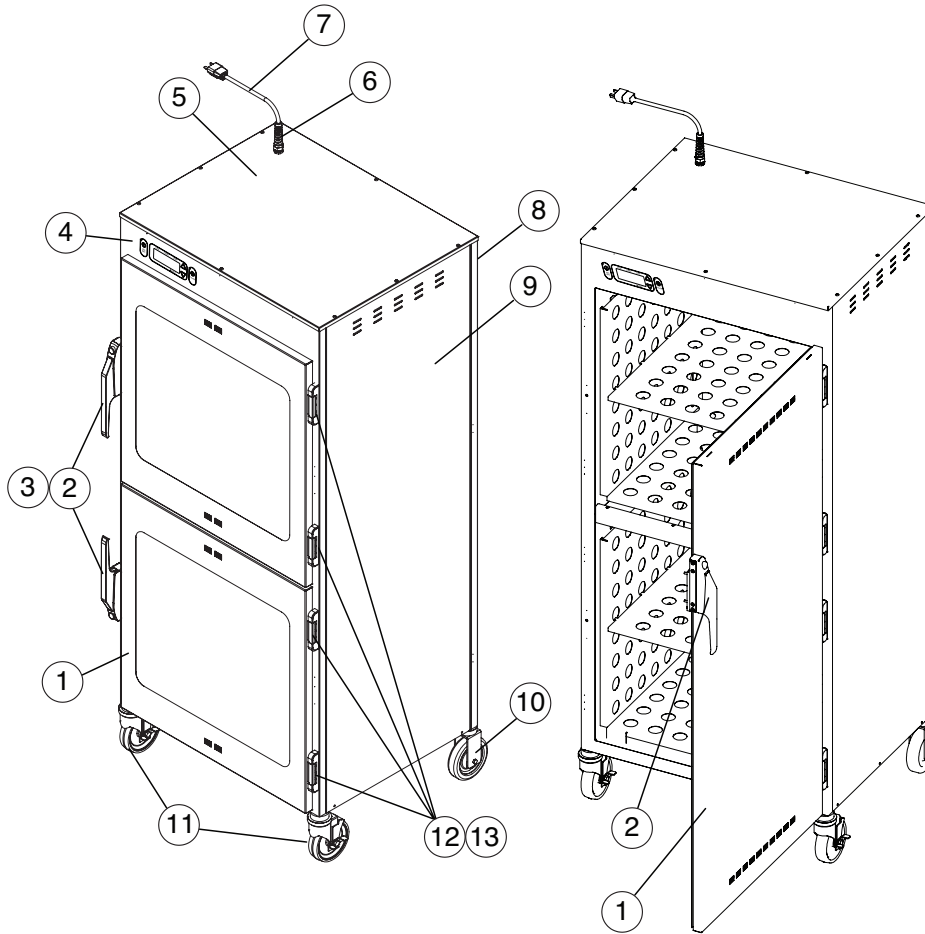






# Service Parts - 20.6 cu. ft. warmer

## Full View



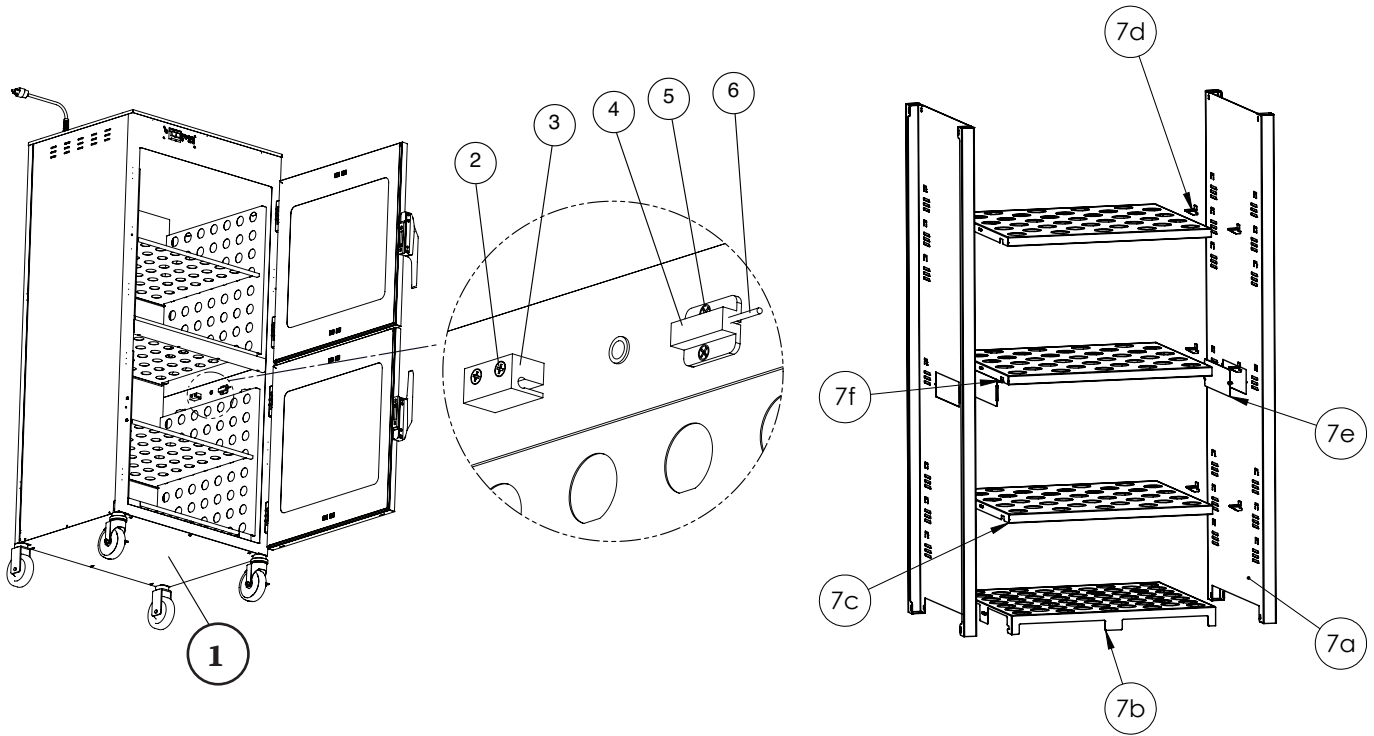
Item	Description	Part No.	Qty	Item	Description	Part No.	Qty
1	Window door assembly	5010984†	2	7	Cordset, 10' (3m), 120V	E3029CD	1
	Full solid door assembly, left hinging	5022091†	1		Cordset, 10' (3m), 230V	**	1
	Full solid door assembly, right hinging	5022090†	1	8	Rear cover	1010901	1
2	Door handle	HD-24171†	2	9	Sides	1015281	2
3	Screw, M5 x 0.8mm flat phillips	SC-35259†	4	10	Casters, 5" (127mm), stem, rigid	CS-24875	2
4	Control panel overlay - EC2060	PE-29043	1	11	Casters, 5" (127mm), stem, swivel w/brake	CS-24875	2
5	Top cover	1015280	1	12	Hinge set (1 set of 2 hinges)	HG-2015†	2
6	Strain relief bushing	BU-34836	1	13	Screws, hinge, M5 x 0.8 x 20mm; flat phillips	SC-23868	12
				*	Screws, hinge, 10-32 x 3/4" flat phillips	SC-2072	12

\* Not shown † Quantity doubles for pass-through option

\*\* Various international plugs are available, contact factory for more information.

# Service Parts - 20.6 cu. ft. warmer

## Interior View

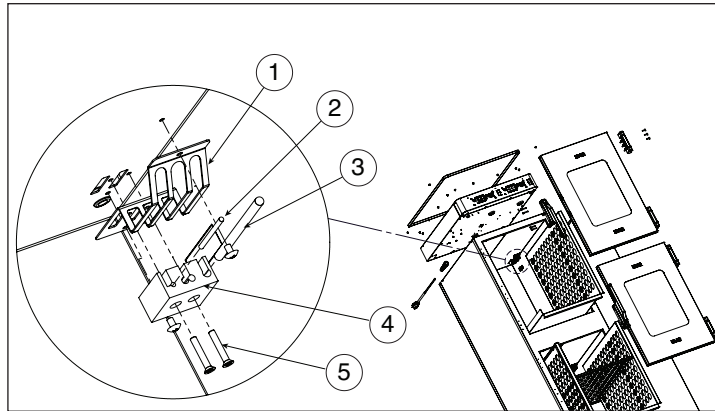


Item	Description	Part No.	Qty
1	Bottom assembly	1010911	1
2	Screws, 8-32 x 1" flat phillips	SC-22138	2
3	Block, manual reset probe	BK-34822	1
4	Sensor block	BK-27983	1
5	Screws, 6-32 x 1/2" flat phillips	SC-2239	2
6	Sensor	SN-33541	1
7A	Panel, Insert, Side	1026184	2
7B	Panel, Insert, Bottom	1027781	1
7C	Panel, Shelf Top	1027778	3
7D	Clip, Shelf	1026148	12
7E	Plate, Cover, Probe	1027543	2
7F	M4 x 6mm PH Pan HD M/S .7	SC-22271	2
8*	Door gasket	GS-26634	2
9*	Full solid door gasket	GS-38504	1

\* Not shown

# Service Parts - 20.6 cu. ft. warmer

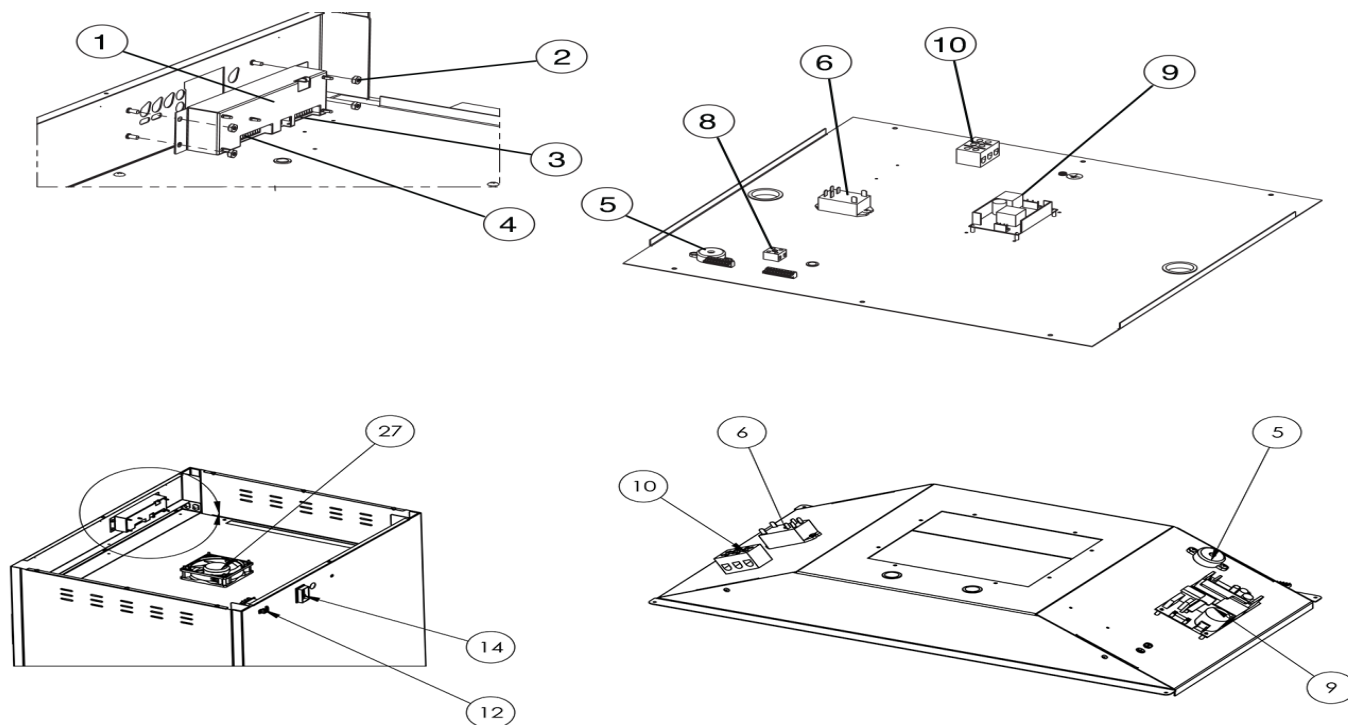
## Sensor Assembly



Item	Description	Part No.	Qty
1	Sensor Guard	1010539	1
2	Sensor	SN-33541	1
3	Thermostat, Manual Reset, 20.60	TT-34600	1
4	Sensor Block, 20.60	BK-27983	1
5	Screw, 8-32 x 1" , Flat, Phillips	SC-22138	2

# Service Parts - 20.6 cu. ft. warmer

## Electrical



Item	Description	Part No.	Qty	Item	Description	Part No.	Qty
1	Control assembly	CC-34765	1	16*	Equipotential ground stud	ST-25670	1
2	Nut, #8-32 UNC	NU-26526	4	17*	Strain relief bushing	BU-34836	1
3	Connector, 10 pin	CR-33717	1	18*	Cordset, 10ft (3m), 120V	E3029CD	1
4	Connector, 9 pin	CR-33718	1	18*	Cordset, 10ft (3m), 230V	**	1
5	Beeper, solid state	BP-3567	1	19*	Connector, 4 pos	CR-34065	2
6	Relay, 12V DC, coil	RL-34434	1	20*	Connector, 5 pos	CR-34066	2
7*	Screw, 6-32 x 3/4" pan flat-head	SC-2146	2	21*	Connector, terminal	CR-3806	2
8	Terminal block, porcelain	BK-33546	2	22*	Door switch	SW-33559	2
9	Power supply board	BA-34041	1	23*	Screw, Pan PH, Metric, M5, Green Zinc Plated	SC-36973	1
10	Terminal block, 3 form compress	BK-3019	1	24*	Thermostat, auto reset	TT-36490	1
11*	Thermostat, manual reset	TT-34600	1	25*	Rivets	RI-27108	2
12	Hi-limit protection cover	1009751	1	26*	Wire diagram, 120V	77563	1
13*	Screws, M4-0.7 x 6mm, phillips	SC-22271	2	26*	Wire diagram, 230V	77563	1
14	Circuit breaker switch	SW-33858	1	27	Fan, Axial, 120mm, 100-240V	FA-39131	1
15*	Filter, RFI pwr line, 10A, 250C, 230V only	FI-34825	1	28*	Fan Guard	1035493	1

\* Not shown

\*\* Various international plugs are available, contact factory for more information.

## Service Parts - 20.6 cu. ft. warmer

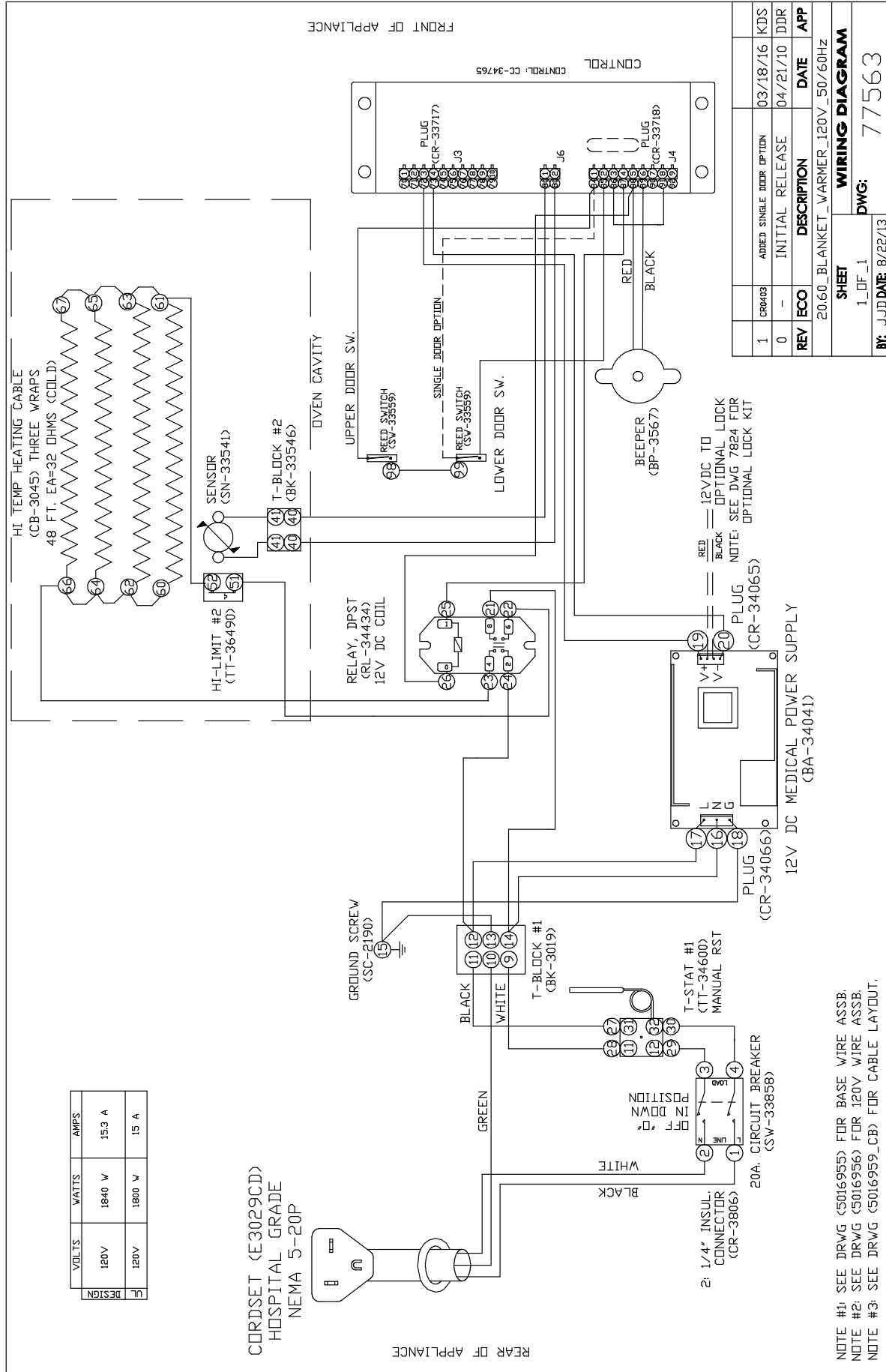
### Accessories

Description	Part No.
Built-in trim kit, reach-in	5013968
Built-in trim kit, pass-through	5013968 (x2)
Leg kit, 6" (152mm)	5011149
Lock for door handle	LK-22567
Shelf Kit	5031265

### Heating Cable Replacement Kit #4881 (1 kit per chamber)

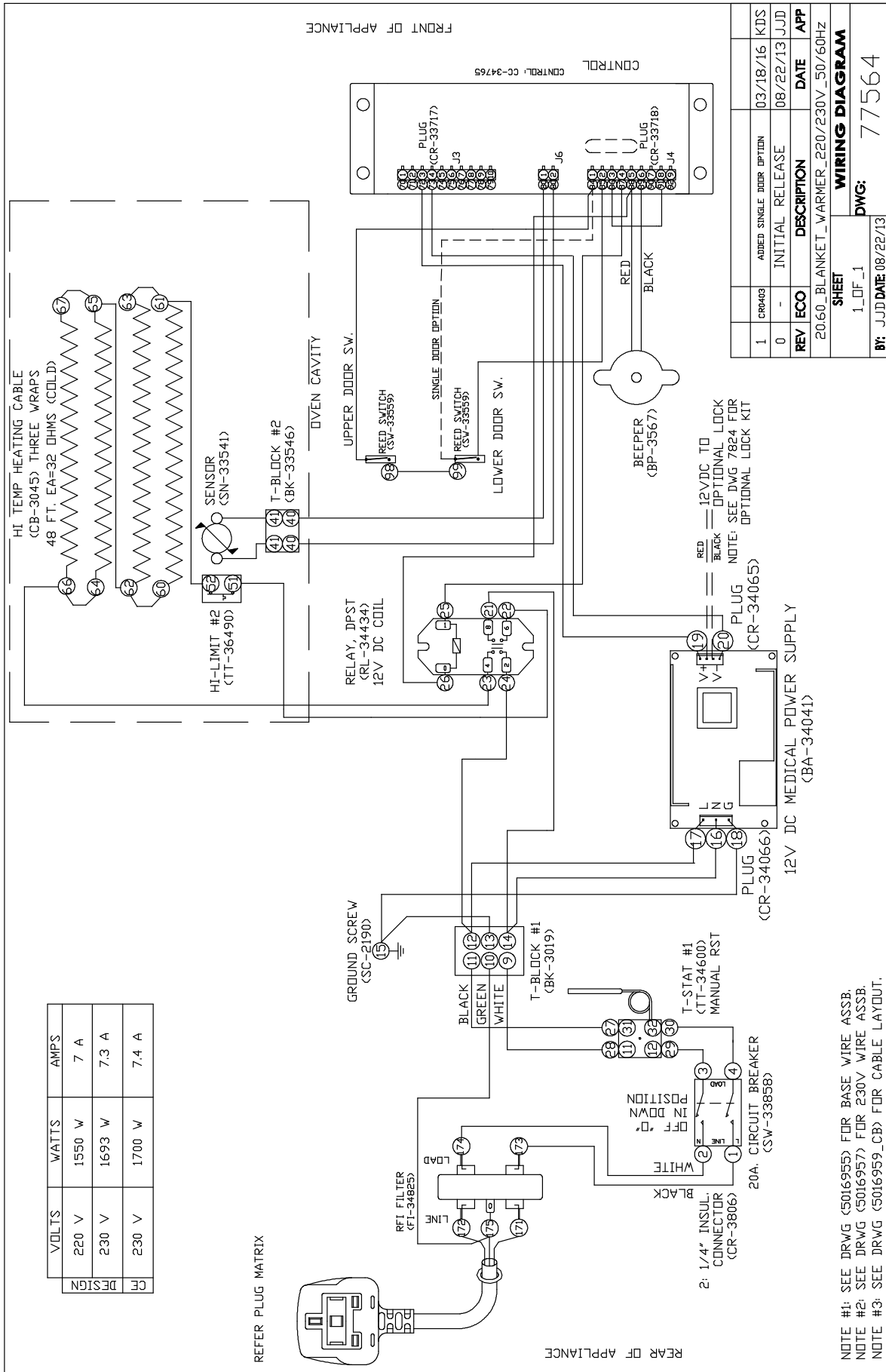
Kit Includes:	Part No.	Qty.
Cable heating element	CB-3045	210 ft (64m)
Cup bushing	BU-3106	12
Electrical tape	TA-3540	1 roll
Hex nut	NU-2215	24
Insulation corner	IN-3488	8 ft (2m)
Insulating sleeve	SL-3063	12
Ring connector	CR-3226	12
Shoulder bushing	BU-3105	12
Stud, 10-32	ST-2439	12

# Wire Diagram - 20.6 cu. ft. warmer



NOTE #1: SEE DRWG (5016955) FOR BASE WIRE ASSB.  
 NOTE #2: SEE DRWG (5016956) FOR 120V WIRE ASSB.  
 NOTE #3: SEE DRWG (5016959\_CB) FOR CABLE LAYOUT.

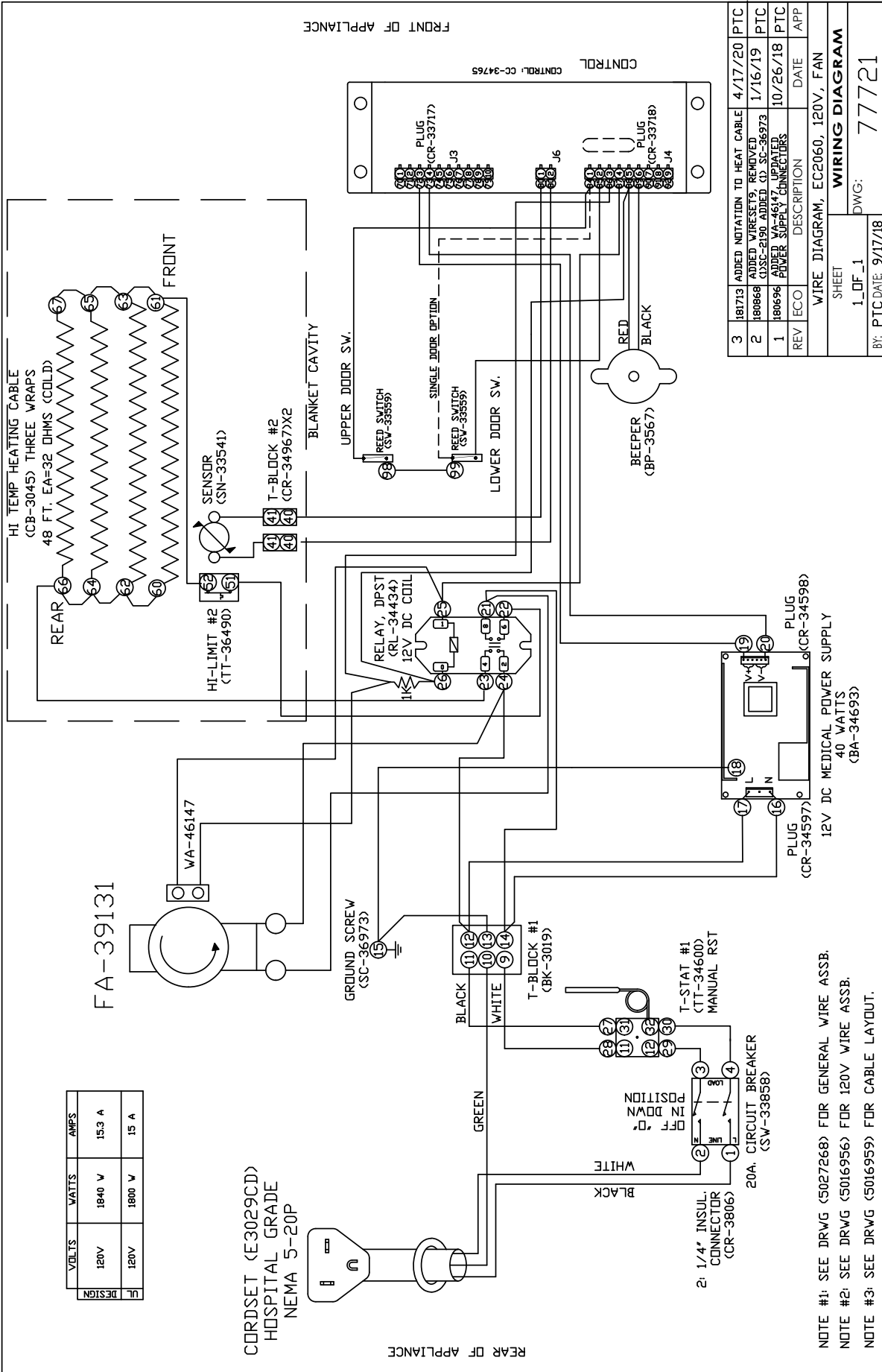
# Wire Diagram - 20.6 cu. ft. warmer



1	CR0403	ADDED SINGLE DOOR OPTION	03/18/16	KDS
0	-	INITIAL RELEASE	08/22/13	JJD
REV	ECO	DESCRIPTION	DATE	APP
20.60_BLANKET_WARMER_220/230V_50/60HZ				
SHEET				<b>WIRING DIAGRAM</b>
1_OF_1				DWG: 77564
BY: JJD DATE 08/22/13				

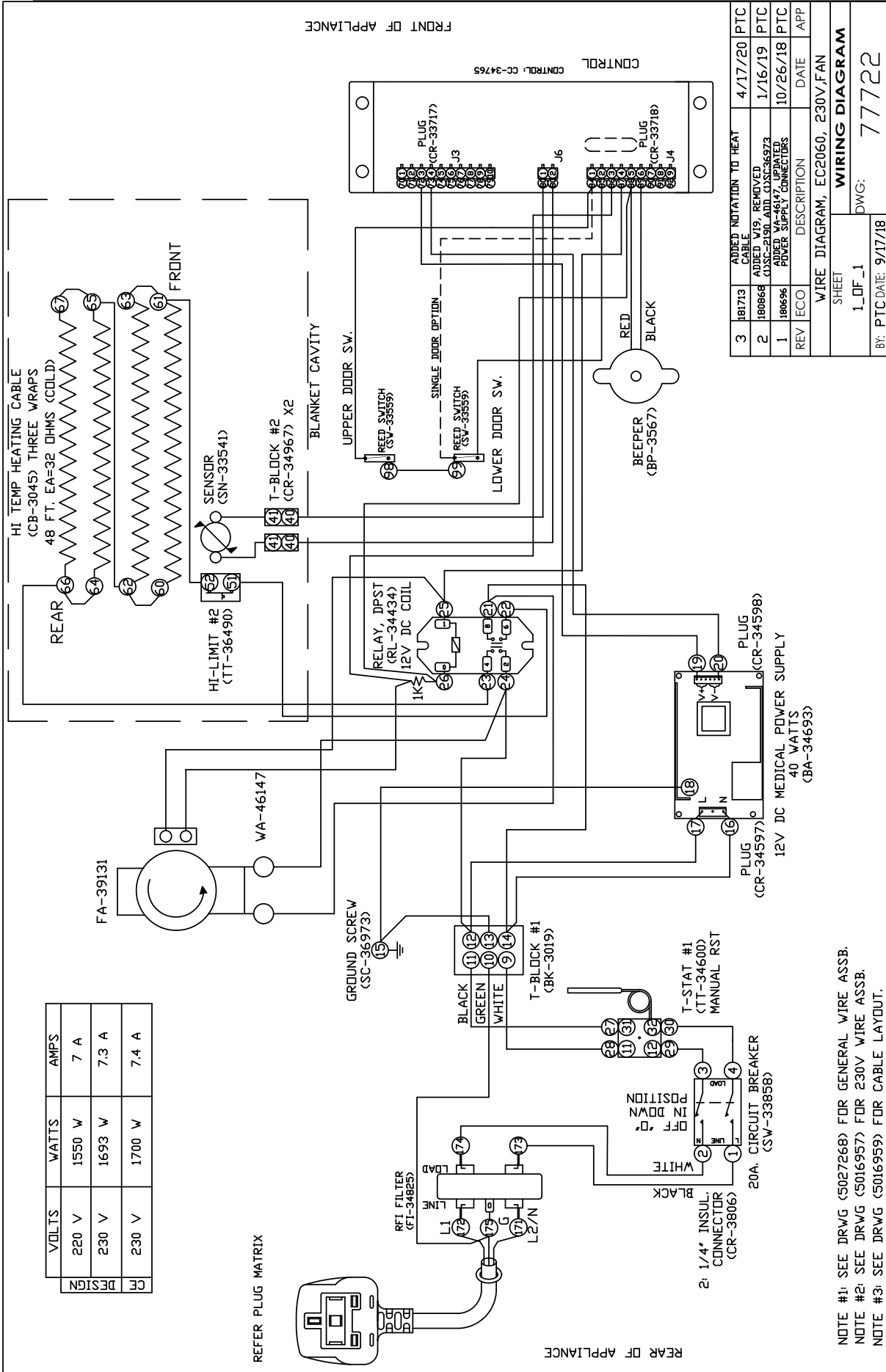
NOTE #1: SEE DRWG (5016955) FOR BASE WIRE ASSB.  
 NOTE #2: SEE DRWG (5016957) FOR 230V WIRE ASSB.  
 NOTE #3: SEE DRWG (5016959\_CB) FOR CABLE LAYOUT.

# Wire Diagram - 20.6 cu. ft. warmer





# Wire Diagram - 20.6 cu. ft. warmer



DESIGN	VOLTS	WATTS	AMPS
CE	220 V	1550 W	7 A
	230 V	1693 W	7.3 A
	230 V	1700 W	7.4 A

REFER PLUG MATRIX

NOTE #1: SEE DRWG (5027268) FOR GENERAL WIRE ASSB.  
 NOTE #2: SEE DRWG (5016957) FOR 230V WIRE ASSB.  
 NOTE #3: SEE DRWG (5016959) FOR CABLE LAYOUT.

REV	ECO	DESCRIPTION	DATE	APP
3	181713	ADDED NOTATION TO HEAT CABLE	4/17/20	PTC
2	180868	ADDED W19, REMOVED C15SC-2150, ADD C15SC36973	1/16/19	PTC
1	180696	ADDED WA-46147, UPDATED POWER SUPPLY CONNECTORS	10/26/18	PTC

WIRE DIAGRAM, EC2060, 230V,FAN	
SHEET	1_OF_1
DWG: 77722	